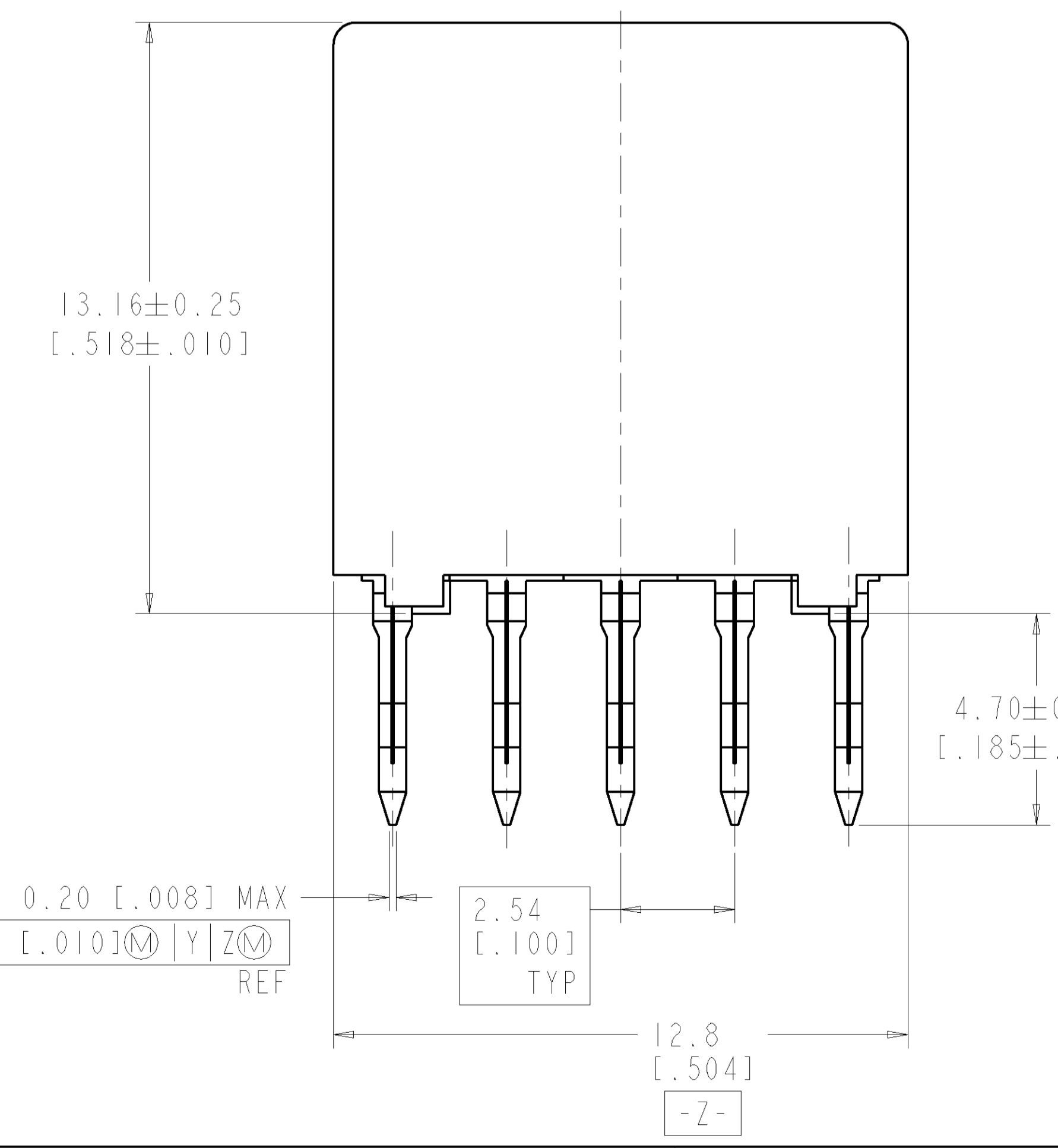
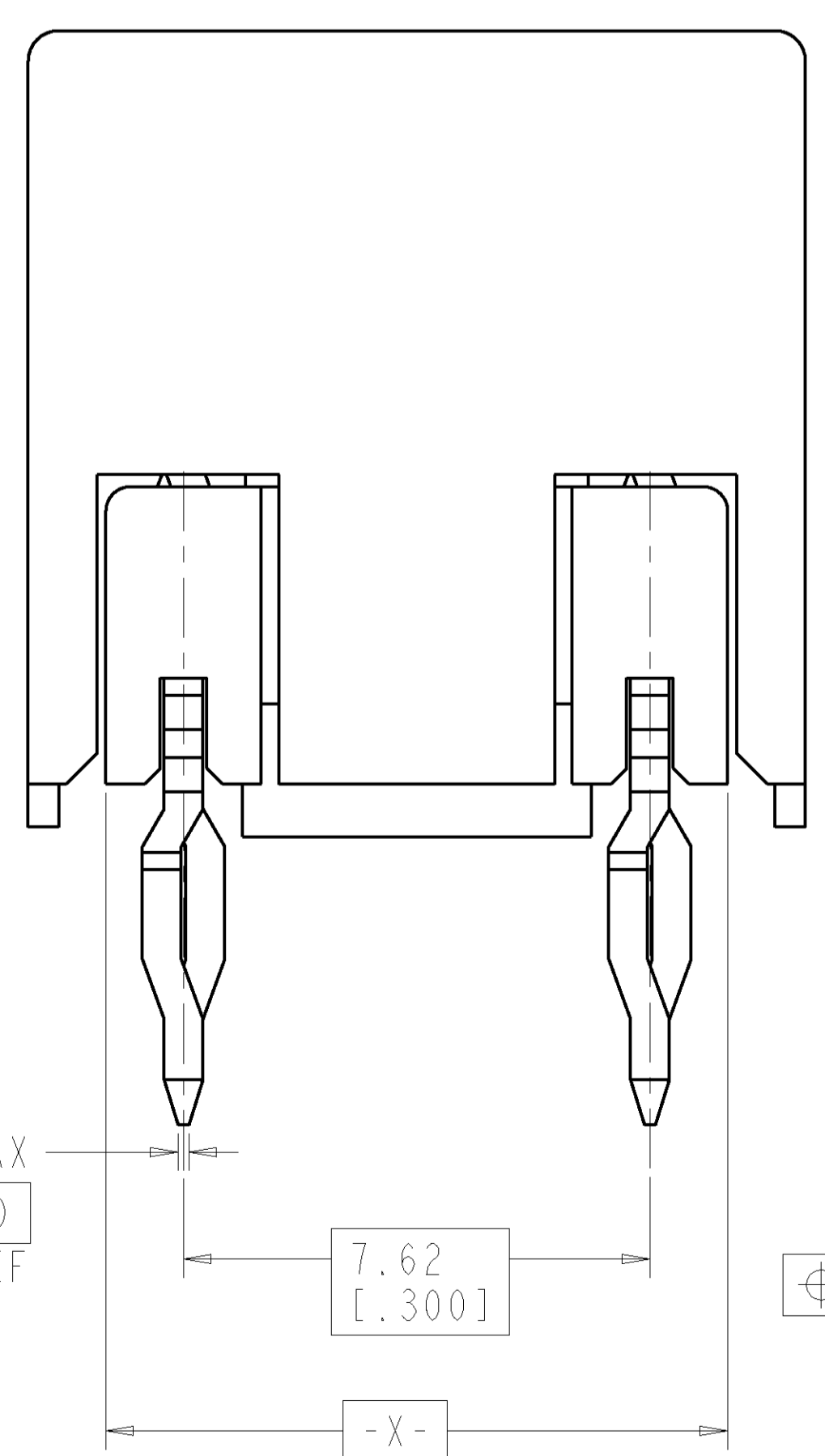
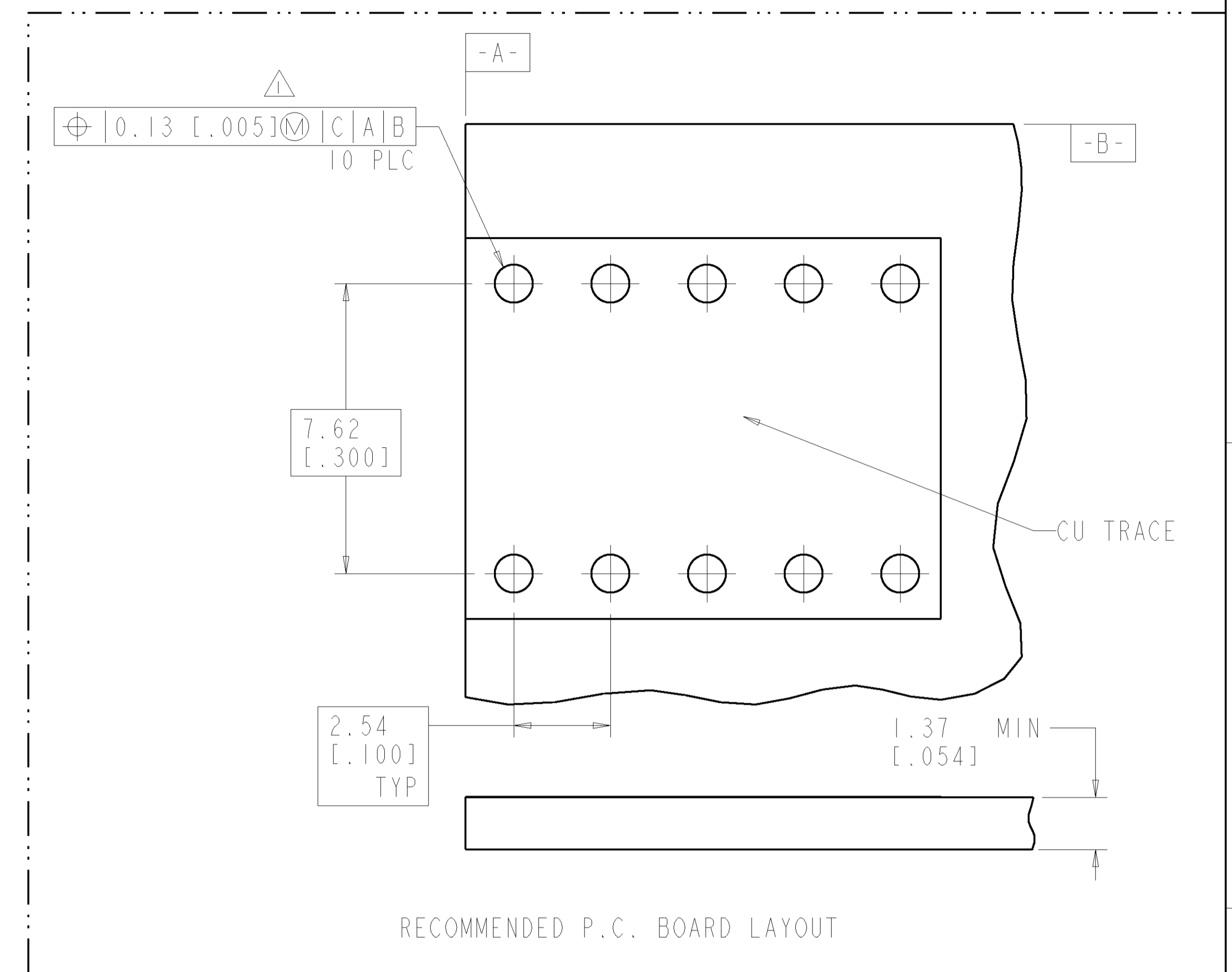
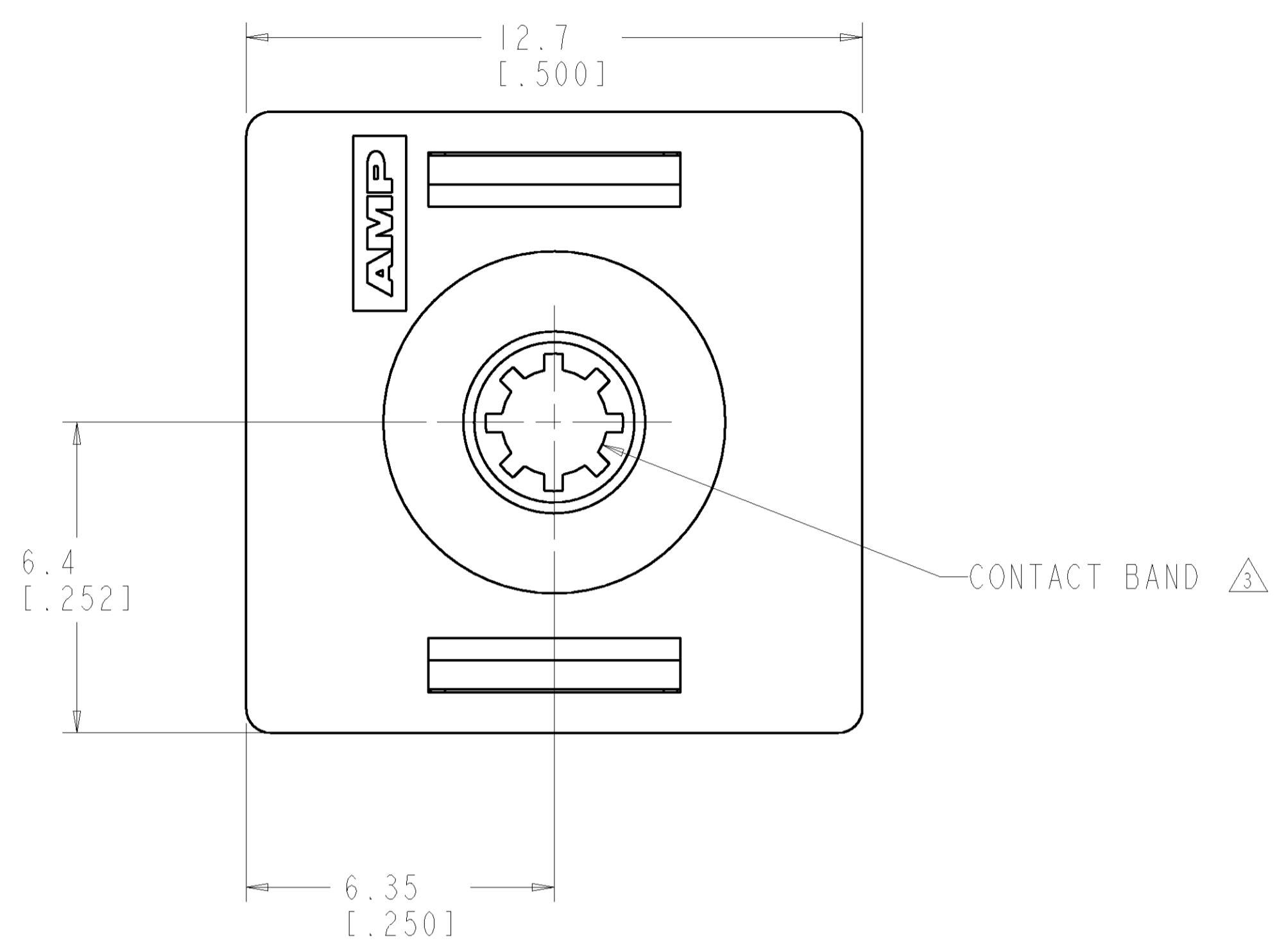


LOC	DIST	REV	DATE	BY	CHKD	APPROV
AD	47					

REVISIONS			
REV	DESCRIPTION	DATE	BY
O	RELEASED PER PPR B009426-0011	23AUG99	DKS
A	REVISED PER QUIB-0005-00	02FEB00	DKS
B	REVISED PER QUIB-0037-00	10APR00	DKS



- △ DRILLED HOLE DIAMETER 1.15 ± 0.03 [0.0453 ± 0.001].
 CU THICKNESS 0.03-0.08 [0.001-.003].
 SN PB THICKNESS 8µm [0.0003] MIN.
 FINISHED HOLE AFTER PLATING 0.94-1.09 [0.037-.043].
- △ HSG: THERMOPLASTIC, BLACK
 CONTACT BAND: COPPER ALLOY
 BODY: ZINC ALLOY
 ACTION PIN CONTACT: BRONZE ALLOY
- △ ACCEPTS 3.58 ± 0.025 MATING PIN [0.141 ± 0.001].
- △ FINISHES:
 BODY: 5.08µm [0.0002] MIN SILVER OVER 2.54µm [0.0001] MIN COPPER
 ACTION PIN: 5.08µm [0.0002] MIN SILVER OVER 1.27µm [0.00005] MIN NICKEL
- △ CONTACT BAND FINISH: 5.08µm [0.0002] MIN SILVER
 OVER 1.02µm [0.00004] MIN NICKEL.
- △ CONTACT BAND FINISH: .76µm [0.00003] MIN GOLD
 OVER 1.02µm [0.00004] MIN NICKEL.

CONTACT BAND FINISH	DESCRIPTION	PART NUMBER
△6	RECEPTACLE	796138-2
△5	RECEPTACLE	796138-1

DIMENSIONS:		TOLERANCES UNLESS OTHERWISE SPECIFIED:	
mm [INCHES]			
0 PLC	±	0.0053	
1 PLC	±	0.0053	
2 PLC	±	0.0053	
3 PLC	±	0.0053	
4 PLC	±	0.0053	
5 PLC	±	0.0053	
6 PLC	±	0.0053	
7 PLC	±	0.0053	
8 PLC	±	0.0053	
9 PLC	±	0.0053	
10 PLC	±	0.0053	

DATE	BY	CHKD	APPROV
26 JAN 99	MDL	MDL	MDL
26 JAN 99	MDL	MDL	MDL

NAME	PRODUCT SPEC	APPLICATION SPEC
RECEPTACLE ASSEMBLY VERTICAL, BOARD TO BOARD, POWER TAP	108-1624-1	114-11000

MATERIAL	FINISH	WEIGHT	SCALE
△2	△4		10:1

CUSTOMER DRAWING	SCALE	SHEET	OF	REV
AMP	10:1	1	1	B